

40x40x24 mm

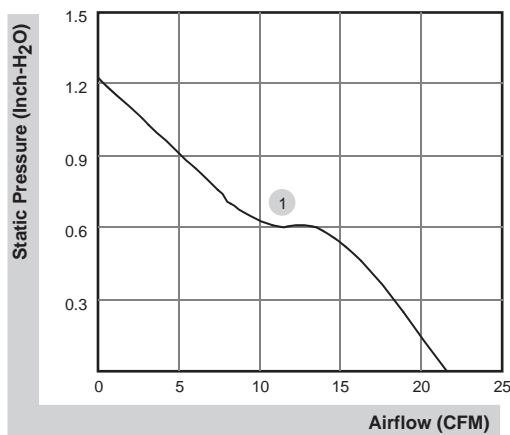
21.6 CFM



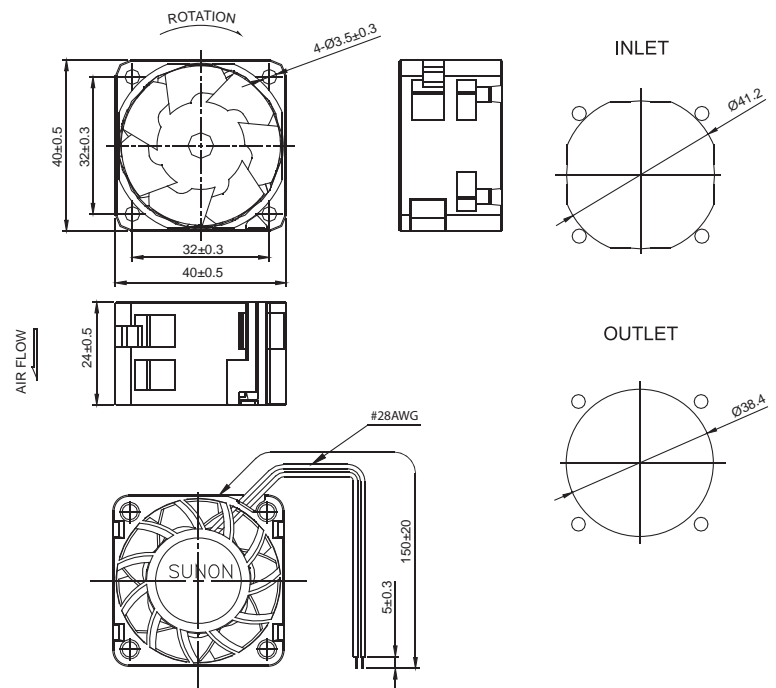
■ Specifications

Model	Bearing	Rating Voltage	Power Current	Power Consumption	Speed	Air Flow	Static Pressure	Noise	Weight	Curve
	2BALL Sleeve	(VDC)	(mA)	(WATTS)	(RPM)	(CFM)	(Inch-H ₂ O)	(dB(A))	(g)	
PSD1204PBB1-A (2).Z.GN	☉	12	550	6.6	14700	21.6	1.23	55.7	40.0	1
PSD1204PBB1-A (2).Z.F.PWM.GN	☉	12	550	6.6	14700	21.6	1.23	55.7	40.0	1
PSD1204PBB1-A (2).Z.R.PWM.GN	☉	12	550	6.6	14700	21.6	1.23	55.7	40.0	1

■ Air Flow-Static Pressure Characteristics



■ External dimensions(mm)



*All model could be customized. Please contact with Sunon Sales.

*Specifications are subject to change without notice. Please Visit SUNON website at <http://www.sunon.com> for update information.

*The product doesn't consider to " as Standard ".